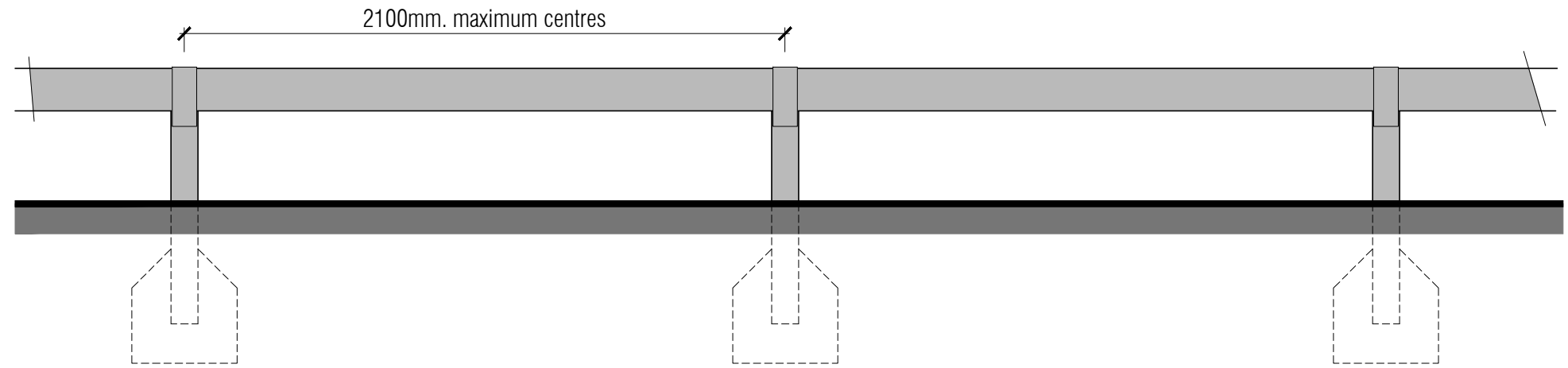


TYPICAL SECTION



ELEVATION

BOUNDARY TYPE F

450mm high Timber Knee Rail

SPECIFICATION :

Posts: 100mm x 100mm Pressure treated timber.
 Horizontal Rails: 100mm x 100mm Pressure treated birdsmouth fixed onto posts with galvanised metal straps.

Figured dimensions and levels to be used. Any inaccuracies must be notified to the architect. Detail drawings and large scale drawings take precedence over smaller drawings.

Rev: - ISSUED FOR PLANNING.

MB 08.10.21

THIS DRAWING IS COPYRIGHT ©

Registered Office: Powell Dobson Ltd. Suite 1F, Building One, Eastern Business Park, Wern Fawr Lane, Old St Mellons, Cardiff CF3 5EA . Powell Dobson is a trading name of Powell Dobson Ltd a company registered in England and Wales No 3873802.

PRELIMINARY	
PLANNING	✓
DESIGN	
TENDER	
CONSTRUCTION	

powelldobson
ARCHITECTS

Cardiff Office: Suite 1F, Building One, Eastern Business Park, Wern Fawr Lane, Old St Mellons, Cardiff CF3 5EA
Tel: +44 (0)133 33 201 001 Fax: +44 (0)29 2079 1212 email: cardiff@powelldobson.com

Drawing No. Rev.
17062 (05) 123 -

Contract: Residential Development at Abertridwr
Former Windsor Colliery for United Welsh
Title: Boundary Type F - 0.45m Timber Knee Rail

Scale: 1:200 @ A1
Date: Oct 2021
Drawn: C.L.
Checked: -