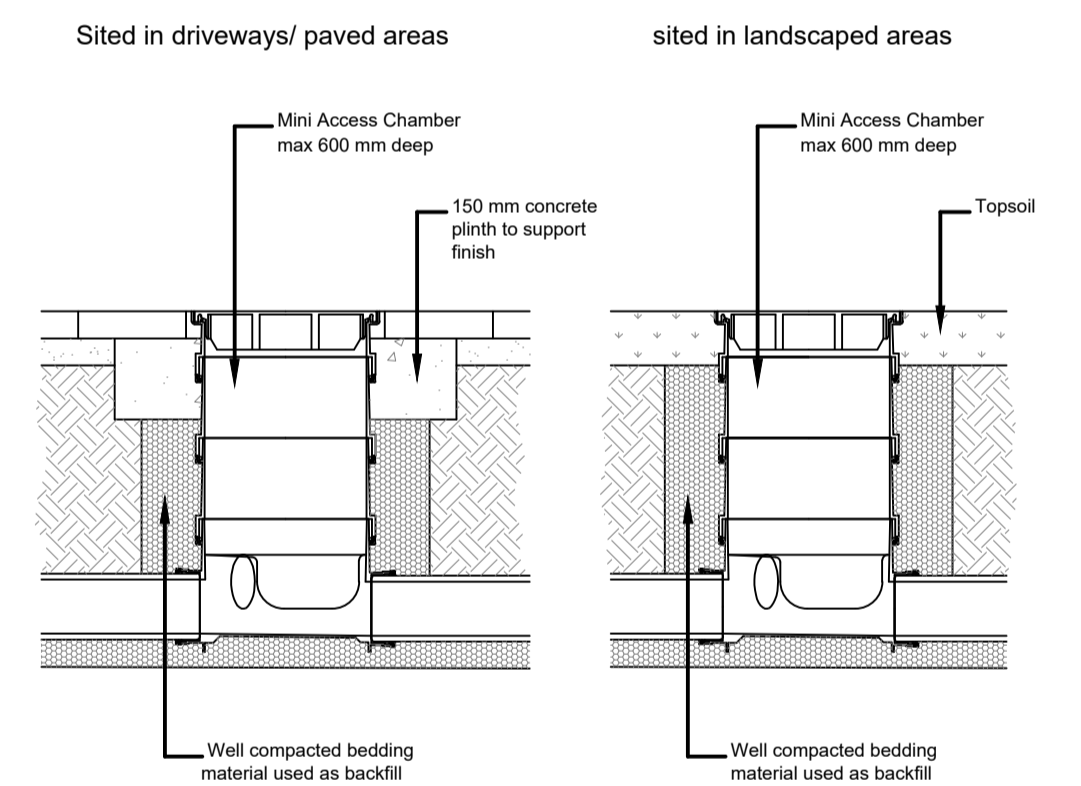
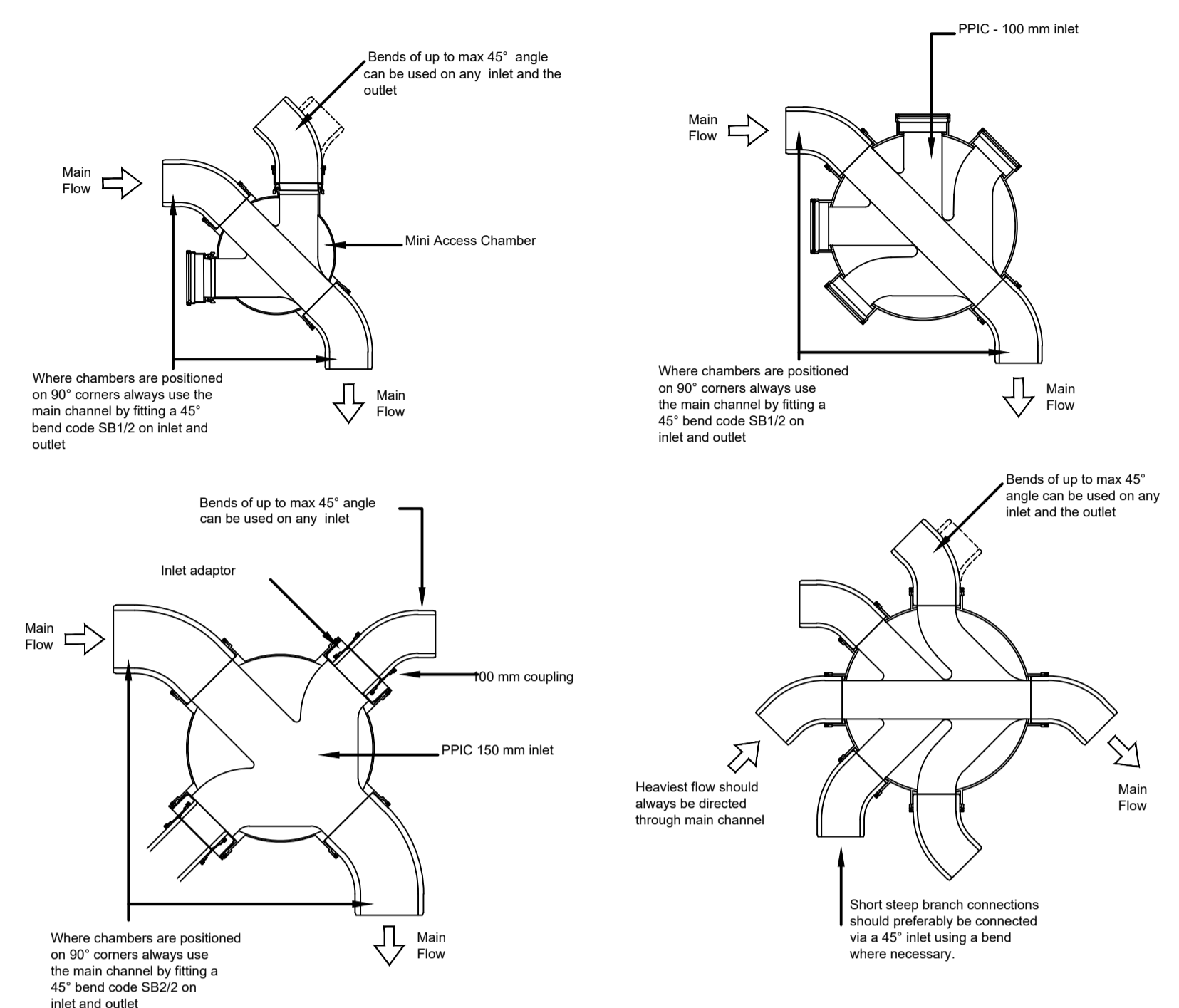


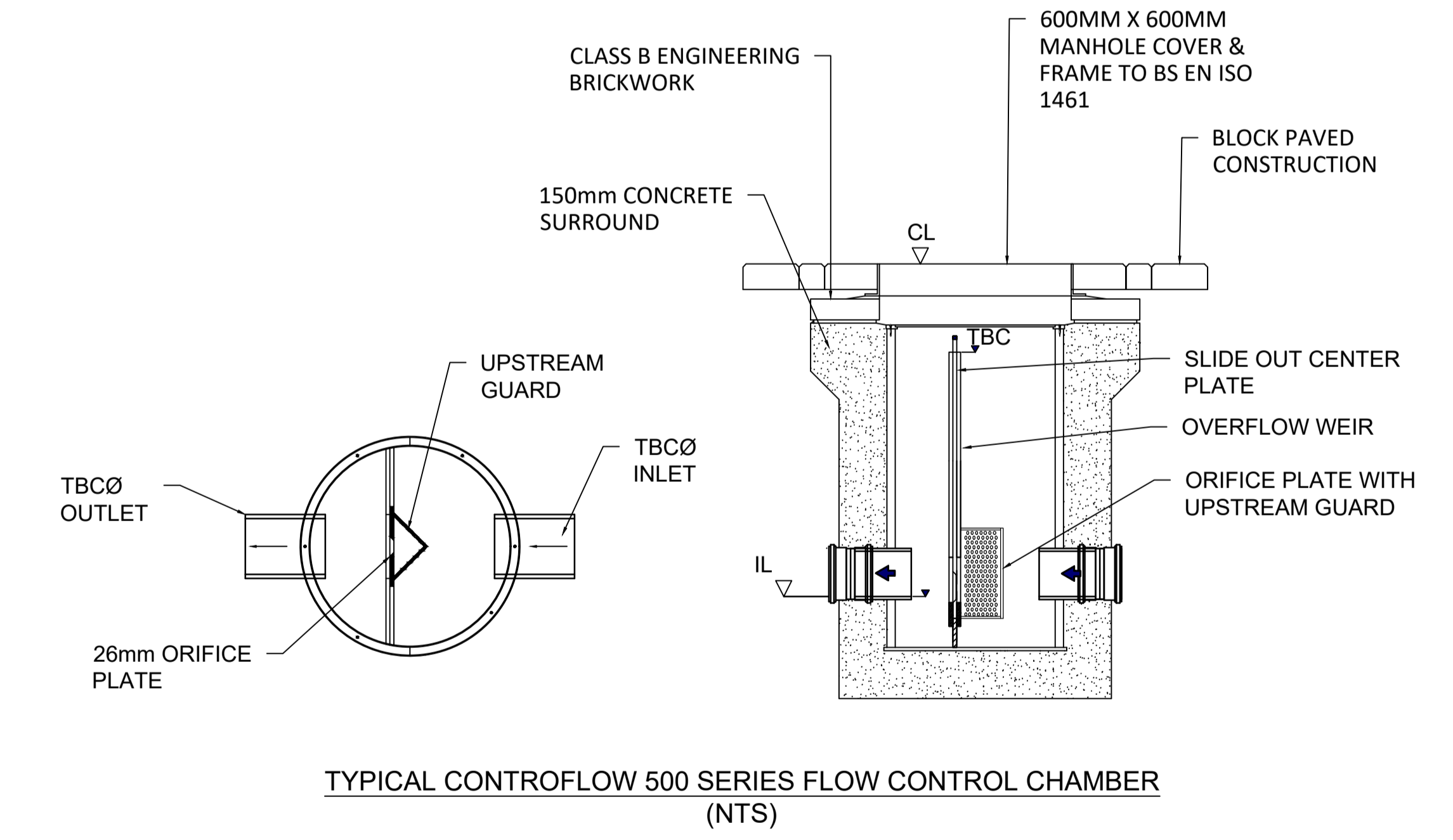
NB - Universal Product - Adaptor to pvc-u pipe included
Polypropylene Inspection Chamber 450Ø
(PPIC) Installation Detail - (0.6-1.2m deep)



NB - Universal product - Adaptors to pvc-u pipe included
Mini Access Chamber Installation Detail



Mini Access Chamber Installation Detail (max 3 connections)
PPIC - (max. 5 connections) Installation Detail



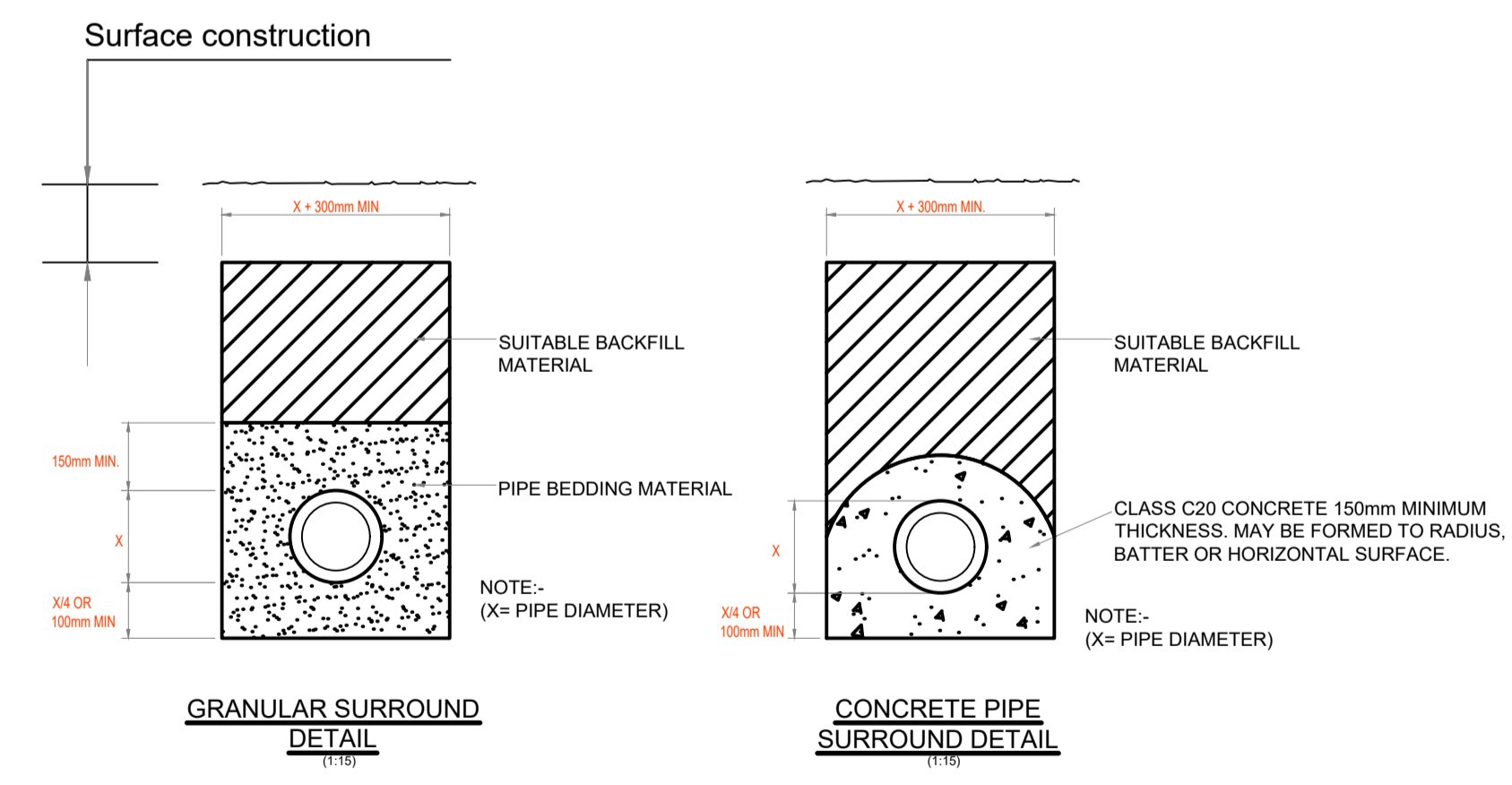
1. NOTE FLOW CONTROL DETAILS TO BE DESIGNED DURING SITE DRAINAGE MODELING

NOTE
NO MECHANICAL COMPACTION WITHIN 300mm OF CROWN OF PIPE

GRANULAR MATERIAL	
DIA OF DRAIN	AGGREGATE
100	10mm SINGLE SIZE
150	10 OR 14mm SINGLE SIZE OR 14-5mm GRADED *
150-500	10, 14 OR 20mm SINGLE SIZE OR 20-5mm GRADED *
OVER 500	10, 14, 20 OR 40mm SINGLE SIZE OR 40-5mm GRADED *

* NON PREFERRED

TRENCH WIDTHS	
DIA OF DRAIN	WIDTH
100	550
150	600
225	700
300	750
375	1050
450	1150
525	1200
600	1350
675	1450
750	1500
825	1600
900	1900
975	2000
1050	2300
1200	2300
OVER 1200	DIA + 1000



TYPICAL PIPE BEDDING AND TRENCH DETAILS
NOTE: No mechanical compaction within 300mm of crown pipe.

P1	FIRST ISSUE FOR COMMENT	RD	EH	TH
				10/12/21
Rev.	Description	By	Chk	App



Client:
Project:
ABERGAVENTNY 3-19 SCHOOL

Drawing Title:
DRAINAGE DETAILS SHEET 1

Drawing No.:
CB2252 CAM XX ZZ DR C 1111

Status: SS PRELIMINARY	Scale @A1: AS SHOWN	Rev.: P1
----------------------------------	-------------------------------	--------------------

CAMBRIA
Constructive Thinking

Civil & Structural Engineers
Ground Floor,
Building 350,
Bristol Business Park,
Bristol, BS16 1EJ

T 0117 911 3333
E admin@cambria.co.uk
W www.cambria.co.uk
@cambriauk
uk.linkedin.com/in/cambria