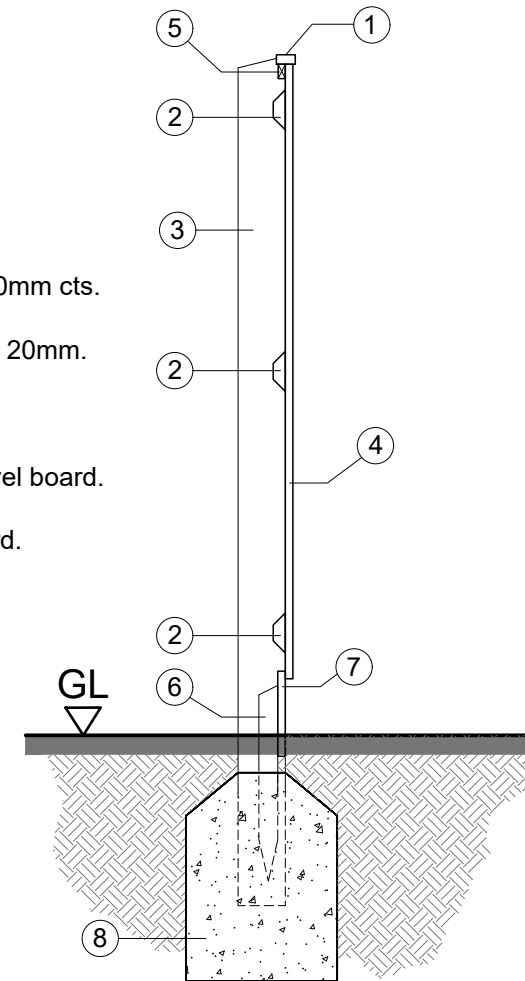
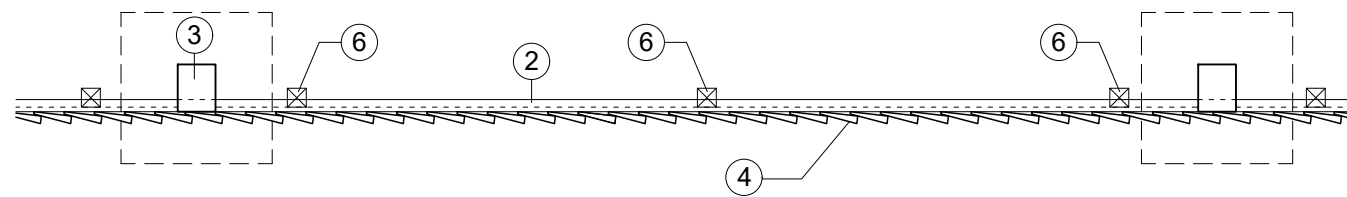


ELEVATION - 1800mm Close Boarded fence

- ①. Cap rail - ex.50x25mm weathered and treated.
- ②. 75 x75mm aris rail.
- ③. 125 x 100mm treated timber posts at max. 2700mm cts.
- ④. 100 x 22 - 8mm feathered edged board, lapped 20mm.
- ⑤. Ex.19 x 38mm s.w.rail supporting cap rail.
- ⑥. Ex. 50 x 50mm s.w.treated post to support gravel board.
- ⑦. Ex. 225 x 20mm s.w.treated plinth / gravel board.
- ⑧. Foundations to Engineer's detail.

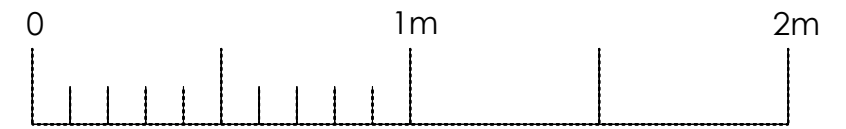


SECTION



PLAN

BOUNDARY TYPE A
1800mm Close Boarded fence



Scale Bar @ 1:20

Figured dimensions and levels to be used. Any inaccuracies must be notified to the architect. Detail drawings and large scale drawings take precedence over smaller drawings.

Rev:	Rev:	Rev:	Rev:
-	-	-	-

PRELIMINARY	
PLANNING	✓
DESIGN	
TENDER	
CONSTRUCTION	

powelldobson
ARCHITECTS

Cardiff Office: Suite 1F, Building One, Eastern Business Park, Wern Fawr Lane, Old St Mellons, Cardiff CF3 5EA
Tel: +44 (0)33 33 201 001 Fax: +44 (0)29 2079 1212 email: cardiff@powelldobson.com

Drawing No. Rev.
21049 (05) 1130 /

Contract: **Morganstone** Scale: 1:20 @ A3
Former Olchfa School Site Date: 14/12/2021
Boundary Type A - 1800mm Close Boarded Drawn: AJP
 Checked: BK